

# Beamex PG

CALIBRATION PUMPS

79877348759834759833  
87984654546546  
7987465465465132132131  
65456789012345678901  
6553678975684653400



123

Beamex PGM | PGC | PGHH | PGPH | PGL

Beamex PG calibration pumps for industrial pressure calibration applications.

**beamex**

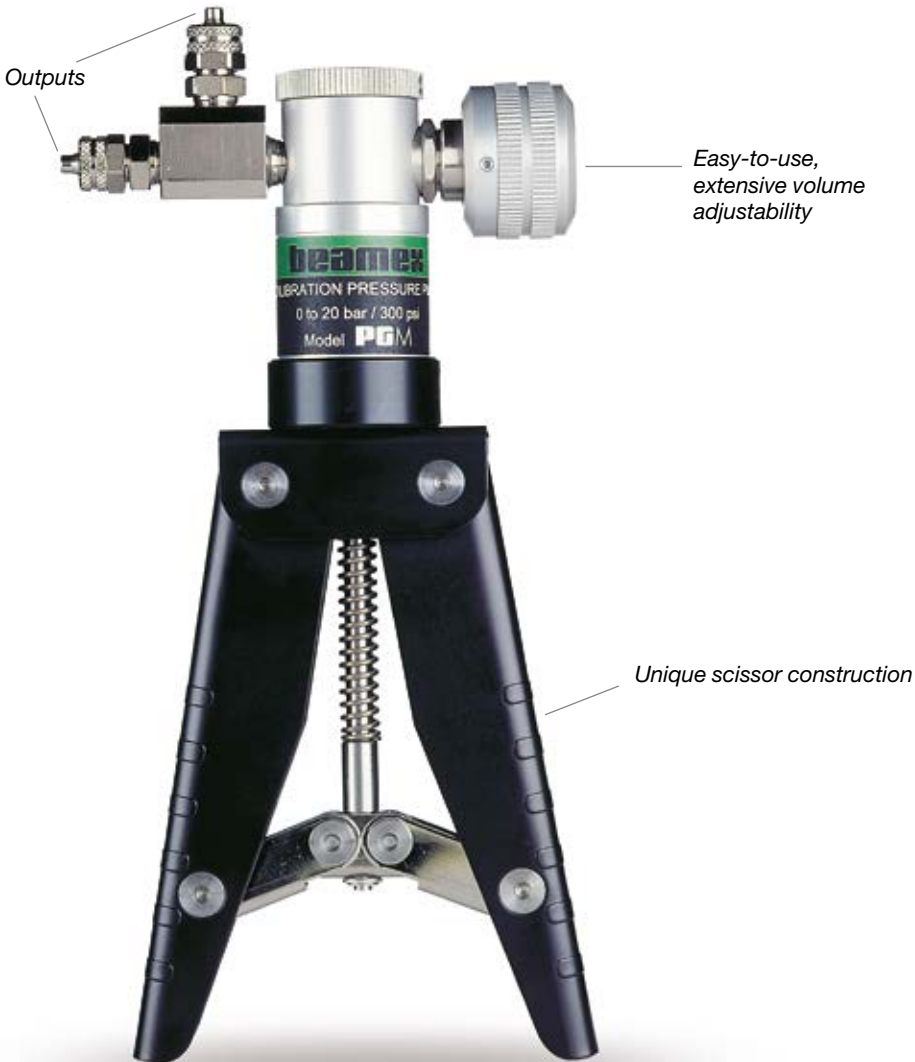
# Calibration pumps

124



# PGM

CALIBRATION PUMP 0...20 bar / 0...300 psi



125

**The PGM** is a hand-operated pressure calibration pump that uses air as its pressure medium. The extremely accurate volume control provides the excellent fine adjustment of pressure. The pump's unique and sturdy construction makes the PGM the ultimate field calibration pump.

## Specifications

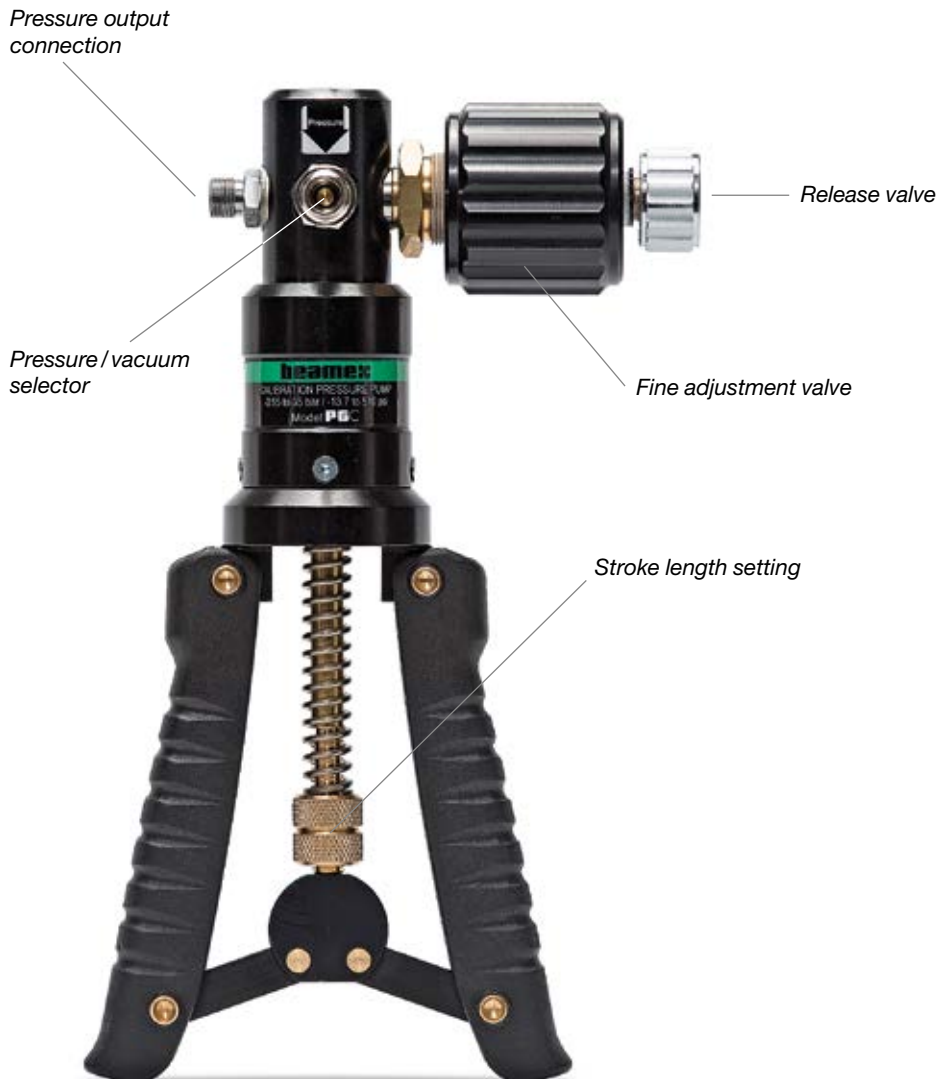
PGM	
Output pressure:	0 ... 20 bar / 0 ... 300 psi
Pressure media:	Air
Output connector:	2 x 1/8" NPT female
Dimensions:	223 mm x 96 mm x 38 mm 8.78" x 3.78" x 1.5"
Weight:	400 g / 0.9 lb
Standard delivery:	<ul style="list-style-type: none"><li>• spare part set</li><li>• pressure fittings</li><li>• Bx G1/8" male for Beamex 40 bar (600 psi) hoses</li><li>• 2 x fittings for 1/4" OD (1/8" ID) hose with a nut</li><li>• 2 x fittings for 1/8" ID hose</li><li>• pressure plug</li></ul>
Optional accessories:	<ul style="list-style-type: none"><li>• hard carrying case</li><li>• 40 bar pressure hoses and fittings</li></ul>

For up-to-date list and prices for accessories, please visit webshop at [shop.beamex.com](http://shop.beamex.com)

Please see 'Pressure fittings guide' at [shop.beamex.com](http://shop.beamex.com)

# PGC

CALIBRATION PUMP -0.95...35 bar / -13.7...510 psi



126

**The PGC** is a hand-operated calibration pump that can be used to generate pressure and vacuum. Using the pressure/vacuum selector you can quickly select if you want to generate pressure or vacuum. The fine adjustment provide means to accurately fine adjust the generated pressure.

## Specifications

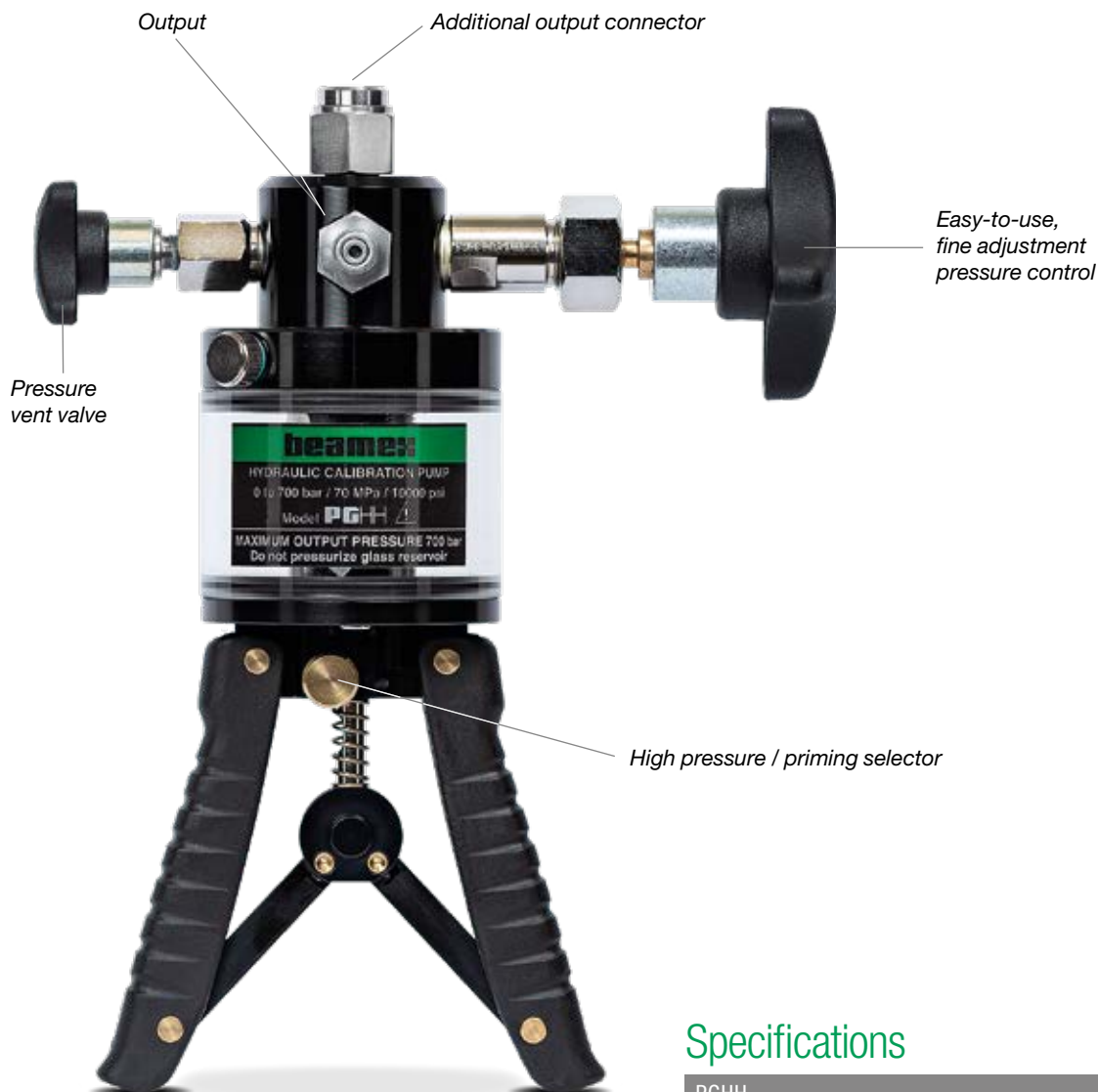
PGC	
Output pressure:	-0.95 ... 35 bar / -13.7 ... 510 psi
Pressure media:	Air
Output connector:	- G1/8" female - preinstalled Bx G1/8" male fitting for Beamex 40 bar (600 psi) hoses
Dimensions:	220 mm x 120 mm x 65 mm 8.7" x 4.7" x 2.6"
Weight:	820 g / 1.81 lb
Standard delivery:	<ul style="list-style-type: none"><li>• 40 bar T-hose set</li><li>• pressure fitting set for 40 bar hoses</li><li>• hard carrying case (complete kit contents)</li></ul>
Optional accessories:	<ul style="list-style-type: none"><li>• hard carrying case</li><li>• 40 bar pressure hoses and fittings</li></ul>

For up-to-date list and prices for accessories, please visit webshop at [shop.beamex.com](http://shop.beamex.com)

Please see 'Pressure fittings guide' at [shop.beamex.com](http://shop.beamex.com)

# PGHH

HYDRAULIC CALIBRATION PUMP 0...700 bar / 0...10,000 PSI



**The PGHH** is a hand-operated, hydraulic, high-pressure generator compatible with different liquids (e.g. mineral oil, distilled water, etc.). The pump is equipped with an adjustable volume control for fine-tuning generated pressure. PGHH also includes a prime/high stroke selector for easy use.

## Specifications

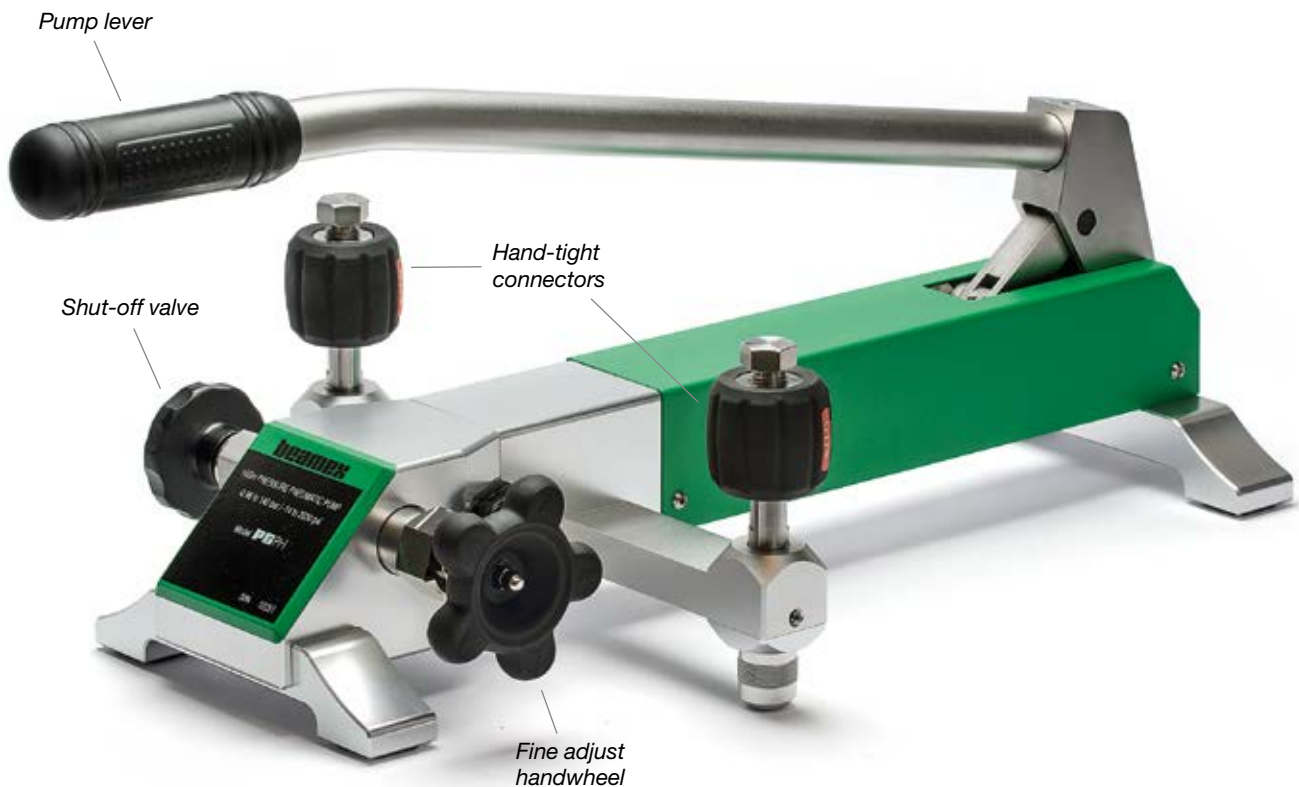
PGHH	
Output pressure:	0...700 bar / 0...10,000 psi
Pressure media:	Distilled water or low viscosity mineral oil
Output connectors:	<ul style="list-style-type: none"><li>– G1/4" B female for Beamex external pressure modules EXT60...1000</li><li>– G1/4" female</li><li>– preinstalled Bx 1215 fitting for Beamex 630 bar (9100 psi) hoses</li></ul>
Dimensions:	265 mm x 160 mm x 120 mm 10.4" x 6.3" x 4.7"
Weight:	1.3 kg / 2.87 lb
Standard delivery:	<ul style="list-style-type: none"><li>• 630 bar 1.0 m hose</li><li>• 1/4" NPT fitting for the hose</li><li>• seals and washers</li><li>• filling bottle with a cap</li><li>• hard carrying case</li></ul>
Optional accessories:	<ul style="list-style-type: none"><li>• hard carrying case</li><li>• 630 bar / 1000 bar pressure hoses and fittings</li></ul>

For up-to-date list and prices for accessories, please visit webshop at [shop.beamex.com](http://shop.beamex.com)

Please see 'Pressure fittings guide' at [shop.beamex.com](http://shop.beamex.com)

# PGPH

PNEUMATIC CALIBRATION PUMP -0.95...140 bar / -13.7...2000 psi



128

**The PGPH** is a hand-operated pneumatic (air as pressure medium) high-pressure table pressure generator. The pump is efficient in generating both vacuum and high pressure up to 140 bar (2000 psi) quickly and effortlessly. It takes less than one minute to generate the maximum pressure. The PGPH is equipped with an adjustable volume control, providing excellent fine-tuning of generated pressure, and two hand-tight connectors allowing fast and easy connections without the need for any tools.

## Specifications

PGPH	
Output pressure	-0.95...140 bar / -13.7...2000 psi
Output connectors:	2 x G 1/4" female
Temperature:	0...50 °C / 32...122 °F
Humidity:	< 85% RH
Adjusting sensitivity:	0.1 mbar (0.001 psi)
Safety pressure:	< 180 bar (2600 psi)
Pressure media:	Air
Dimensions:	54 cm x 27 cm x 18 cm 21.26" x 10.63" x 7.09"
Weight:	7.1 kg / 15.7 lb
Standard delivery:	<ul style="list-style-type: none"><li>• pressure plug</li><li>• set of O-rings (20 pcs)</li></ul>
Optional accessories:	<ul style="list-style-type: none"><li>• hard carrying case</li><li>• 630 bar pressure hoses and fittings</li></ul>

For up-to-date list and prices for accessories, please visit webshop at [shop.beamex.com](http://shop.beamex.com)

Please see 'Pressure fittings guide' at [shop.beamex.com](http://shop.beamex.com)

# PGL

## CALIBRATION PUMP –400 ... 400 mbar / –160 ... 160 iwc



129

## Specifications

PGL	
Output pressure: <sup>1)</sup>	–400 ... +400 mbar / –160 ... 160 iwc
Adjusting sensitivity:	< ±0.05 mbar / 0.02 iwc <sup>2)</sup>
Pressure change after 1 min waiting time and readjustment: <sup>3)</sup>	< 0.3 mbar / min / 0.12 iwc / min
Wetted parts:	Stainless steel, nitrile rubber, polyacetal
Dimensions:	283 mm x 114 mm x 110 mm 11.1" x 4.5" x 4.3"
Weight:	~1.8 kg / 4.0 lbs
Output connector:	– G1/8" female – preinstalled Bx G1/8" male fitting for Beamex 40 bar (600 psi) hoses
Pressure media:	Air
Storage temperature:	–20 to 60°C / –4 to 140°F
Operating temperature:	0 to 50°C / 32 to 122°F
Humidity:	< 95%RH
Standard delivery:	<ul style="list-style-type: none"><li>• 40 bar T-hose set</li><li>• basic tools for maintenance</li><li>• hard carrying case (complete kit contents)</li></ul>
Optional accessories:	<ul style="list-style-type: none"><li>• hard carrying case</li><li>• 40 bar pressure hoses and fittings</li></ul>

**The PGL** calibration pump can be used to generate accurate and stable reference pressure for low pressure calibrations on range ±400 mbar (±160 iwc). The innovative design and material choices minimize the impact of environmental temperature changes during calibration. The pressure can be adjusted with screw-operated coarse and fine adjustment.

For up-to-date list and prices for accessories, please visit webshop at [shop.beamex.com](http://shop.beamex.com)

Please see 'Pressure fittings guide' at [shop.beamex.com](http://shop.beamex.com)

<sup>1)</sup> Depending on the volume of the test setup. With smaller volumes (max. 20 ml / 0.68 fl.oz) you can also operate in the following pressure ranges: –0.7 to 3.0 bar / –281 to 1204.4 iwc.

<sup>2)</sup> Into a volume of max. 20 ml / 0.68 fl.oz.

<sup>3)</sup> In stable conditions and a volume of max. 20 ml / 0.68 fl.oz.

